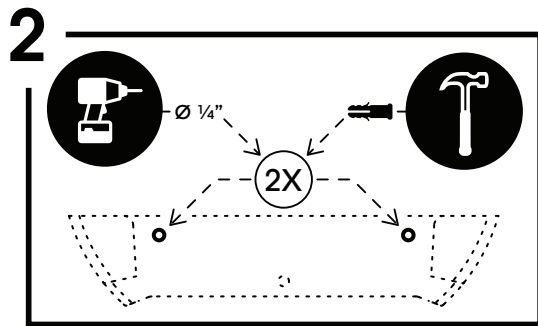
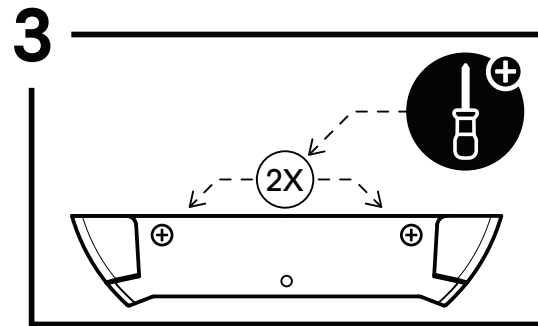


Use centre hole to find position. Keep Disc Display level, mark position of mounting holes.



Drill the two holes with a 1/4" drill bit, insert wall plugs, hammer wall plugs until flush with wall.



Secure the Disc Display by fastening screws.