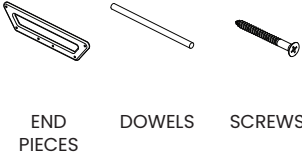


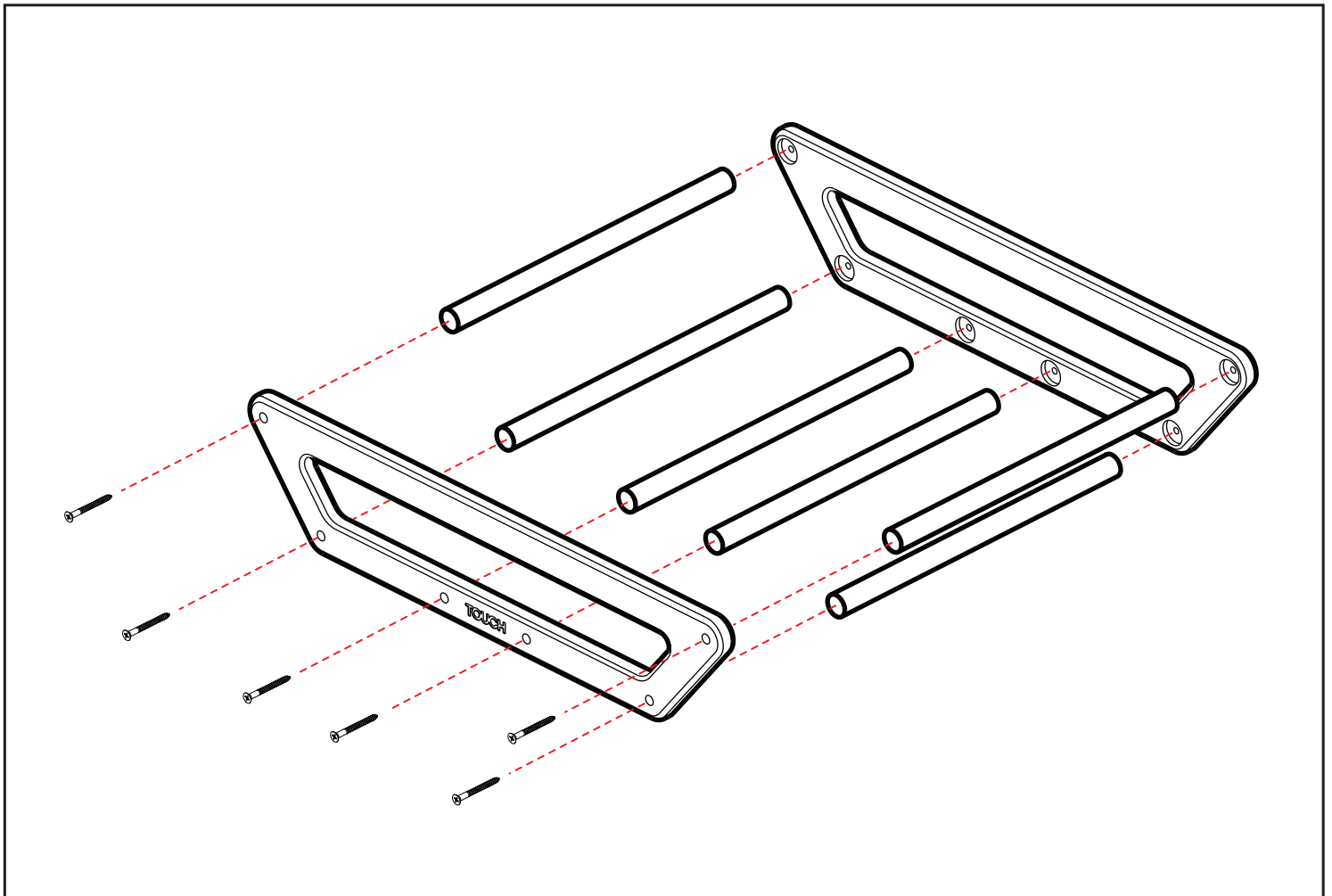
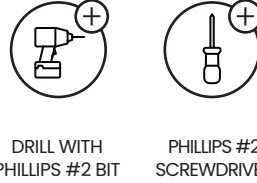
# Travel Rack

## Installation Instructions

### PARTS INCLUDED



### RECOMMENDED TOOLS



PLUG THE DOWELS INTO THE END PIECES, THEN SECURE IN PLACE WITH THE SUPPLIED SCREWS.

**DISCLAIMER:** This product has been designed for a specific use, and is not intended to be used for purposes other than those expressly identified in the product's promotional materials. When installing and/or using this product, customers should strictly adhere to the product instructions (including, without limitation, all instructions pertaining to: product use, product hanging/fastening, product location, installation hardware specifications, and product accessories/fixtures). Without limiting the generality of the foregoing, customers should always be mindful of the surrounding construction and wall composition, and should adjust installation accordingly (pursuant to the product instructions). Customers should always inspect and test the product stability before use. TOUCH Disc Golf expressly disclaims any and all liability for any injuries or losses arising from the improper installation or use of the product, as well as any liability for any direct, indirect, punitive, incidental, special, consequential or other damages whatsoever, arising out of or connected with the use or misuse of the product.